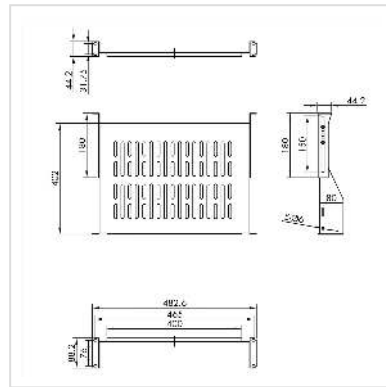


# VALUE 19"-Fixed Shelf, 485 x 400mm, 2U, max. 25kg, black

<b>Product No.</b>	26.99.0407
<b>Manufacturer</b>	VALUE
<b>Manufacturer No.</b>	26.99.0407
<b>EAN (single piece)</b>	7630049627130



## Mounting rack for installation in 19-inch cabinets and wall-mounted enclosures

- 19" fixed shelf with maximum load capacity of 10 kg (25 kg with angled brackets)
- Suitable for cabinets and wall-mounted enclosures from 600 mm depth
- Angle brackets included

- **REMARK:**

Increased load capacity of 25 kg when using angle brackets (requires rear 19" plane)

### Technical specifications

Manufacturer	VALUE
Product group	19"-/10"-Equipment rack
Product type	19"-tool carriers
Colour	black
Extractable	No
19" shelves required for mounting	2
Footprint (WxD)	440 x 400 mm
Max. load capacity	25 kg
Required mounting height	2U

Height	88 mm
Width	485 mm
Depth	400 mm
Height of packaging (single piece)	100 mm
Width of packaging (single piece)	500 mm
Depth of packaging (single piece)	420 mm
Package weight (single piece)	2.4 kg