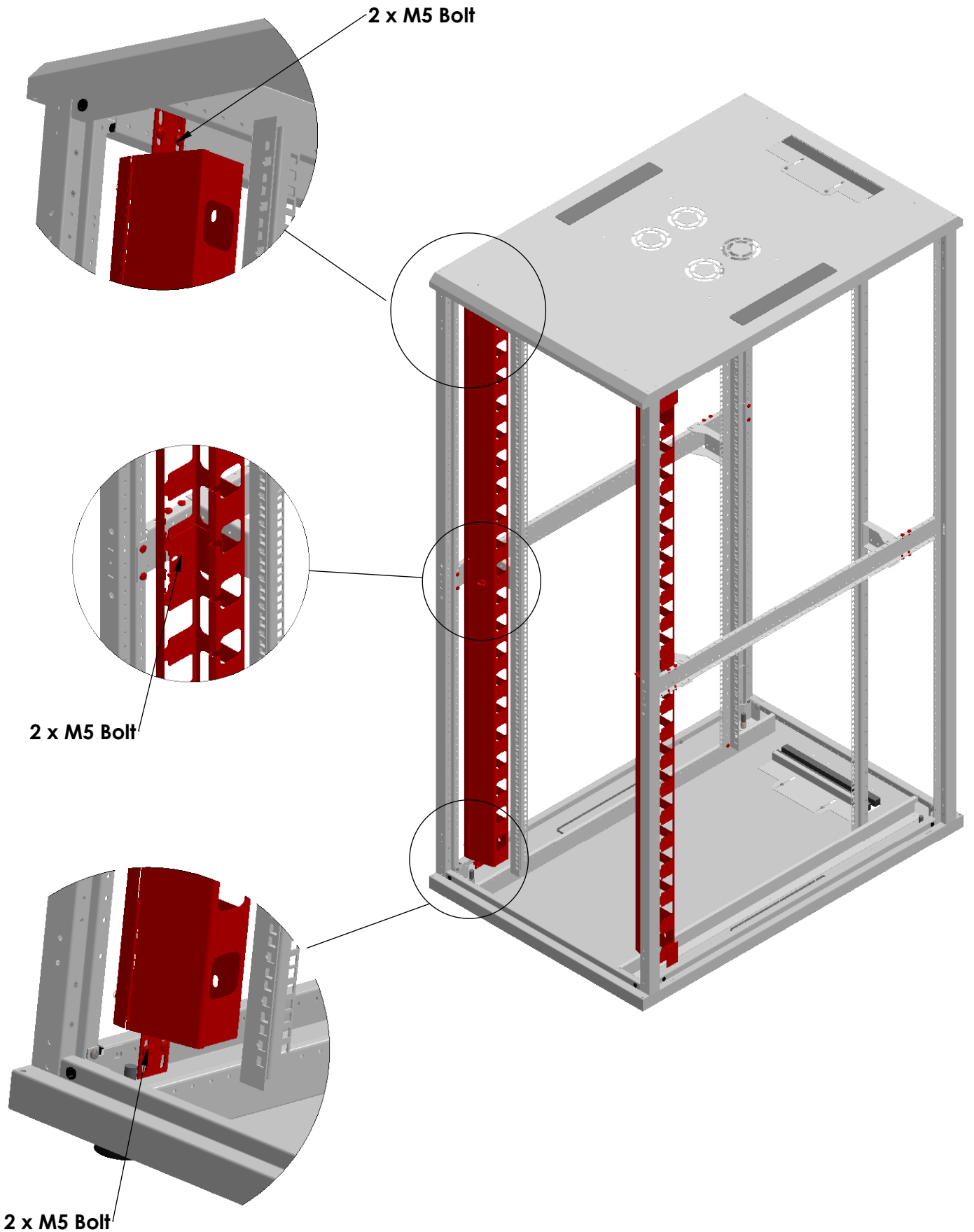


FRONT & REAR VERTICAL ORGANIZER

Assembly Instructions

Inorax ST

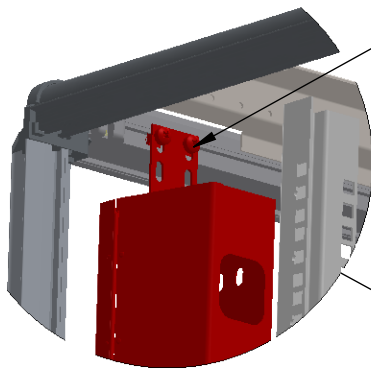


Follow the same instruction for each side

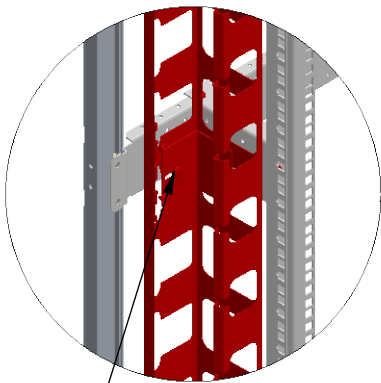
FRONT & REAR VERTICAL ORGANIZER

Assembly Instructions

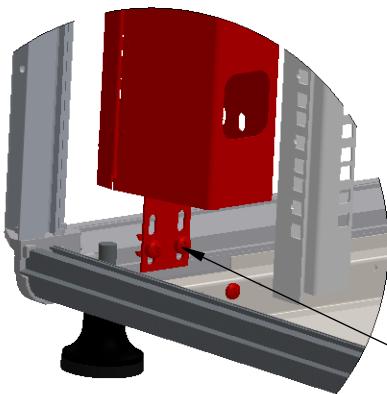
Inorax AL



- 2 x M5 Bolt
- 2 x M5 Spring Washer
- 2 x M5 Spring Nut



- 2 x M5 Bolt



- 2 x M5 Bolt
- 2 x M5 Spring Washer
- 2 x M5 Spring Nut

Follow the same instruction for each side