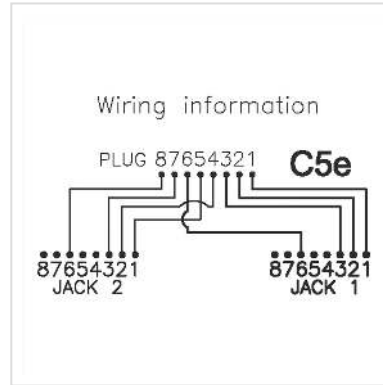
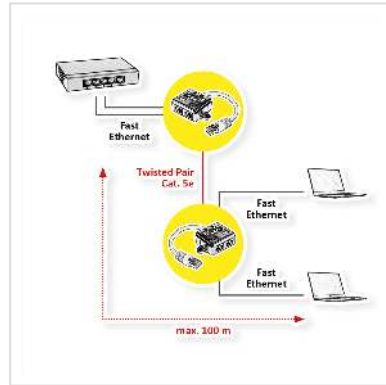


VALUE T-Adapter Cat.5e (Class D), STP, silver

Product No. 21.99.3050
Manufacturer VALUE
Manufacturer No. 21.99.3050
EAN (single piece) 7611990143924



- For the use with two 10/100 LAN connections over one (full wired) 8-wire cable
- Connection cable (17 cm) with RJ-45 plug; adapter with two RJ-45 jacks
- Pin assignment of connectors: pairs 1, 2 and 3, 6
- Wiring scheme on the adapter
- For Cat. 5e installations
- Note: The adapters can be used only pairwise

Technical specifications

Manufacturer	VALUE
Product group	Connection technology TP
Product type	Netzwerkadapter
Colour	white
Length	0.15 m
Shield type	Screened
Transfer quality	Cat5e / Class D
Material (casing)	Plastic
Shield contacts	No
separate strain relief	No
Connection direction	Straight
Weight	46.3 g

Height of packaging (single piece)	20 mm
---------------------------------------	-------

Width of packaging (single piece)	80 mm
--------------------------------------	-------

Depth of packaging (single piece)	220 mm
--------------------------------------	--------

Package weight (single piece)	0.05 kg
----------------------------------	---------